

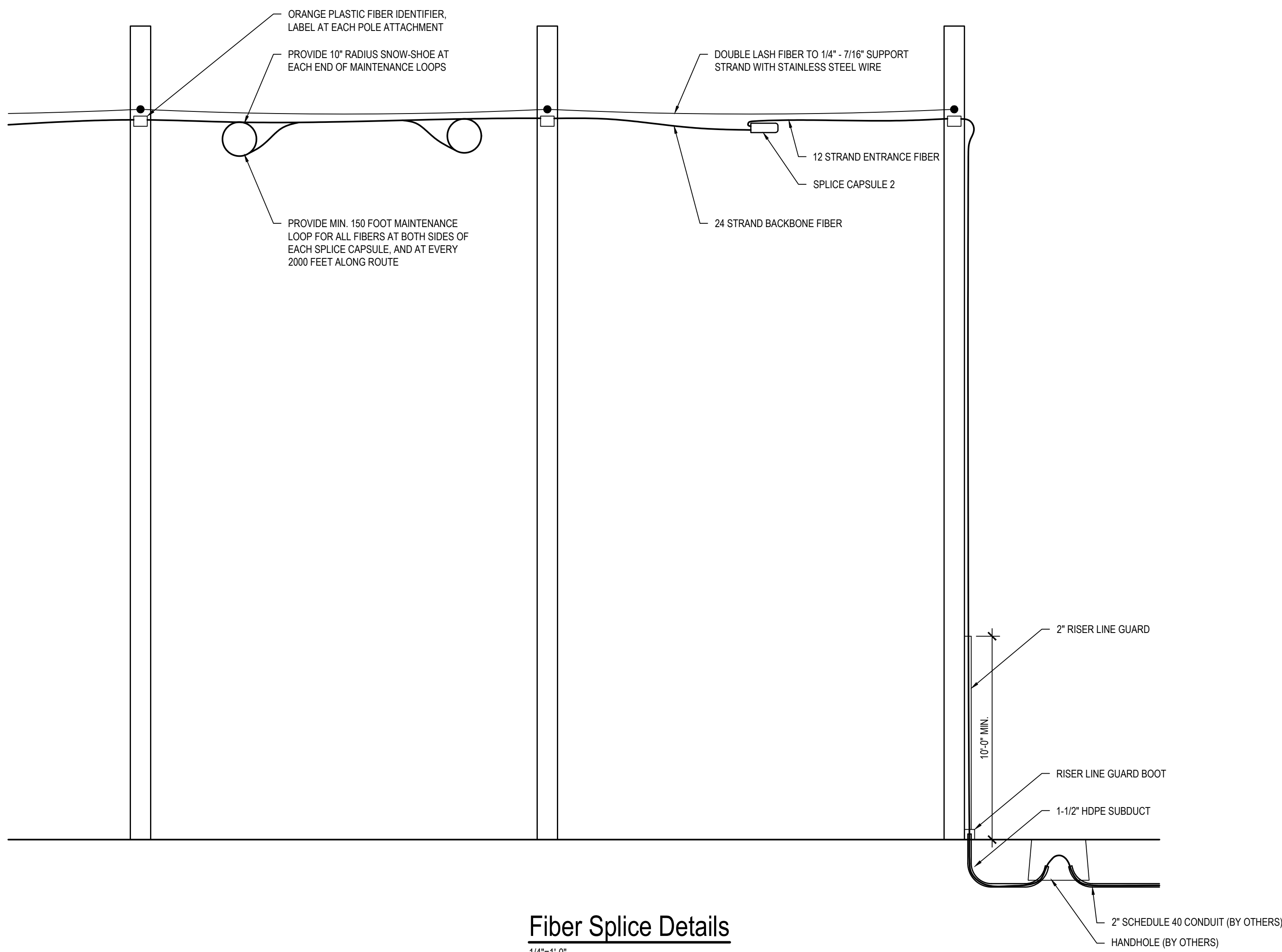
- KEYED NOTES**
- 1 PROVIDE NEW SPLICE CAPSULE TO CONNECT NEW FIBER TO EXISTING KPS FIBER. PROVIDE A MINIMUM 150-FOOT MAINTENANCE LOOP FOR EACH FIBER CABLE ENTERING SPLICE CAPSULE. SEE SHEET T102 FOR DETAILS ON SPLICING OF NEW FIBER TO EXISTING FIBER. NOTE EXISTING FIBER IS ACTIVE AND ANY WORK AFFECTING EXISTING STANDS MUST BE PREAPPROVED WITH OWNER AND COORDINATED WITH OWNER'S MAINTENANCE WINDOWS.
 - 2 BACKBONE FIBER - NEW 24-STRAND SINGLE-MODE FIBER INSTALL ON EXISTING UTILITY POLES.
 - 3 FIBER IS TO BE INSTALLED PRIOR TO COMPLETION OF THE NEW TRANSPORTATION BUILDING. ROUTE NEW 24-STRAND FIBER TO POLE AT CENTER OF PARCEL'S ROAD FRONTAGE AND COIL 150-FOOT MAINTENANCE LOOP. UPON COMPLETION OF NEW BUILDING ROUTE 12-STRAND SINGLE-MODE ENTRANCE FIBER INTO FACILITY AND TERMINATE. PROVIDE AERIAL SPLICE CAPSULE AND SPLICE ENTRANCE FIBER TO BACKBONE FIBER.
 - 4 ALL FIBER LINKS ORIGINATE IN KPS ADMIN BUILDING SERVER ROOM. RELABEL ALL FIBER STRANDS TO PROPERLY REFLECT THE FAR ENDPOINT DESTINATION.
 - 5 RELABEL FIBER STRANDS 7 AND 8, REMOVED FROM KING-WESTWOOD ELEMENTARY SCHOOL, TO SHOW THEY ARE NO LONGER ACTIVE.
 - 6 RELABEL FIBER STRANDS 7 AND 8, REMOVED FROM INDIAN PRAIRIE ELEMENTARY SCHOOL, TO SHOW THEY ARE NO LONGER ACTIVE.

LEGEND

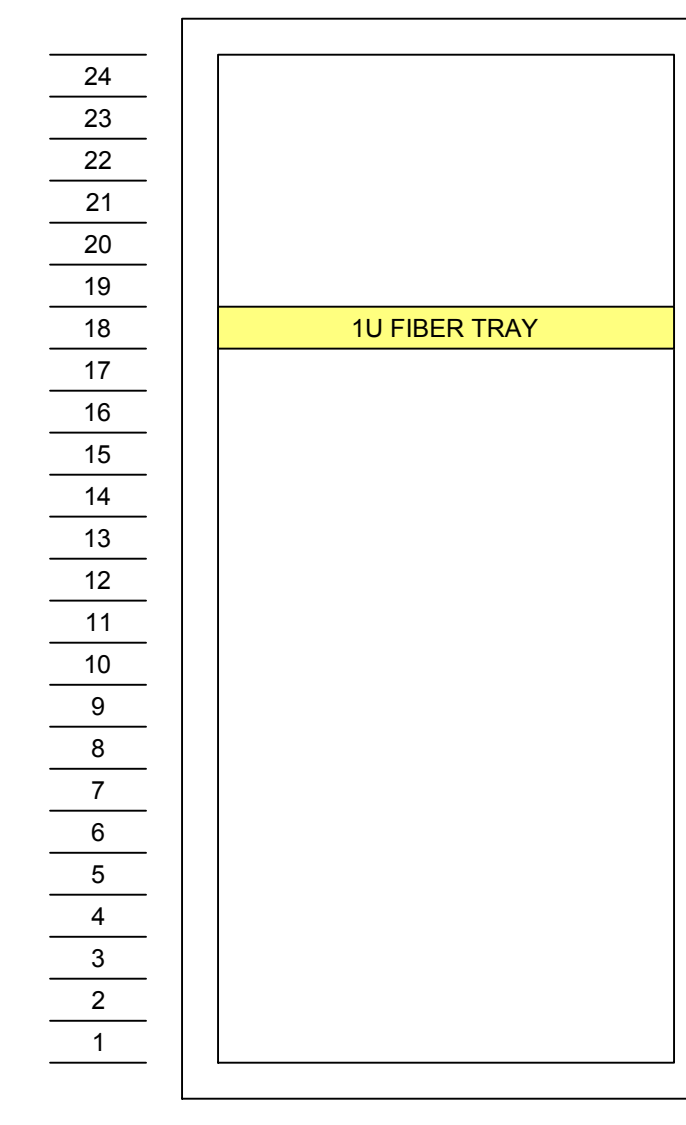
SYMBOL	DESCRIPTION
	EXISTING FIBER
	NEW FIBER
	BUILDING LOCATION
	SPLICE POINT

DATE ISSUED	2017-12-15 BIDS
REVISION DATE	
DRAWN BY	NWW
DRAWING SCALE	1" = 500'-0"
PROJECT NO.	2599
SHEET NO.	T101

com:\proj\2599\2599.dwg, secant\ppl\kps\mcs\cable_routing\2017\12\15\171215_2599.dwg, secant\ppl\kps\mcs\cable_routing\2017\12\15\171215_2599.dwg

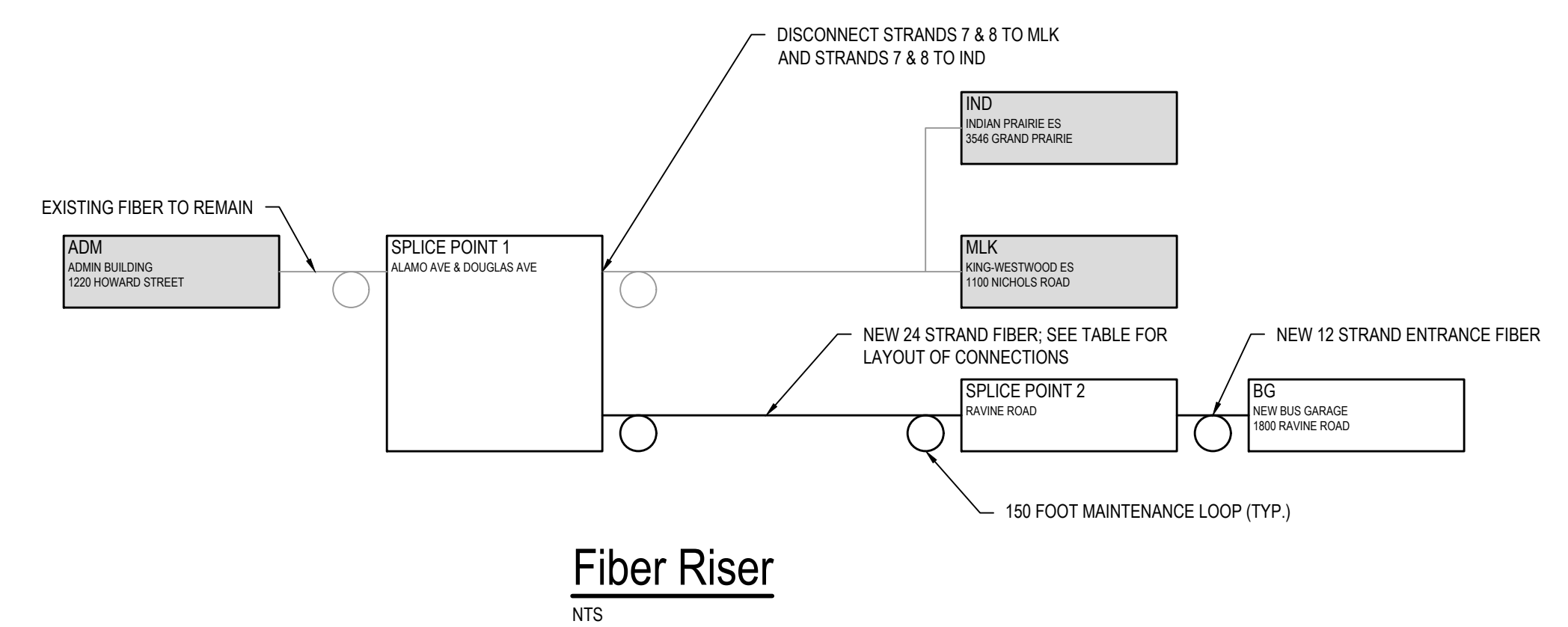


Fiber Splice Details
1/4\"/>

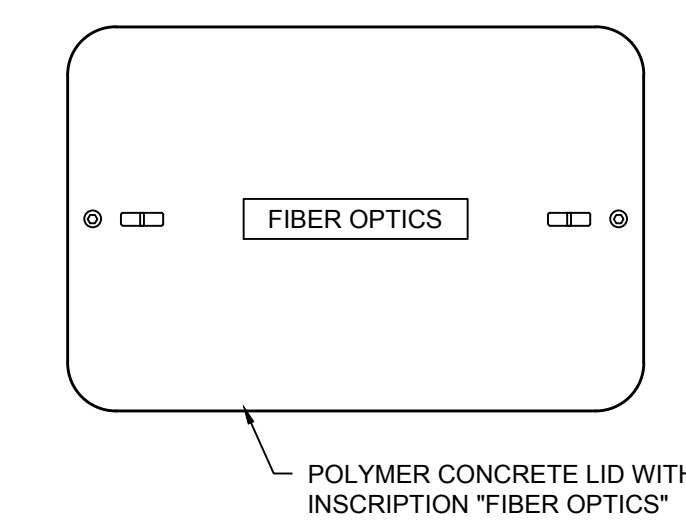


Rack Elevation
1-1/2\"/>

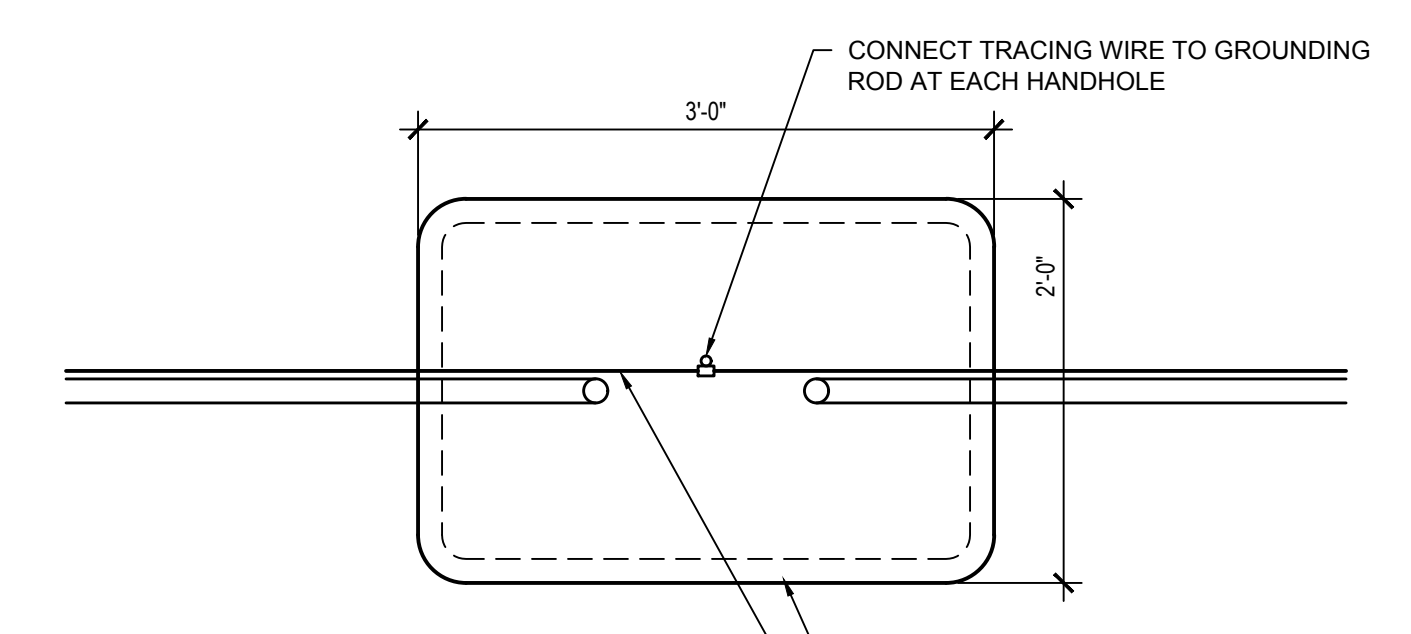
FIBER CONNECTIONS LEGEND	
FIBER	LOCATION
1	FORMER MLK STRAND 7
2	FORMER MLK STRAND 8
3	FORMER IND STRAND 7
4	FORMER IND STRAND 8
5-12	NOT CONNECTED



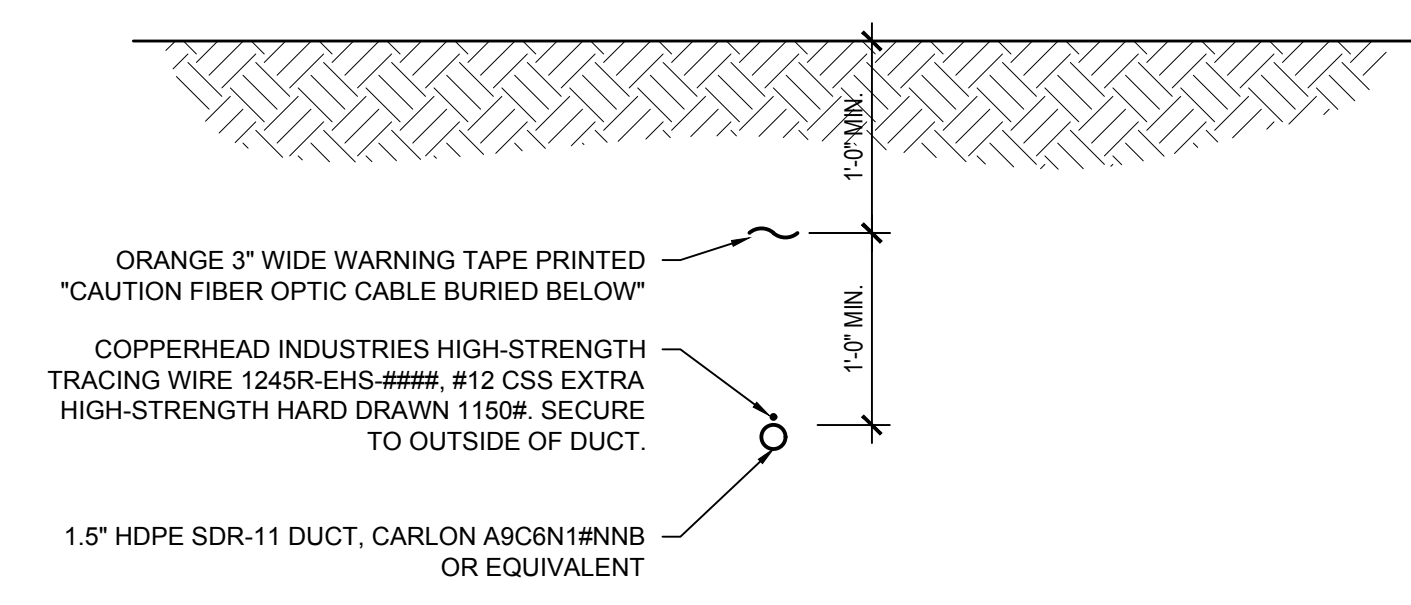
Fiber Riser
NTS



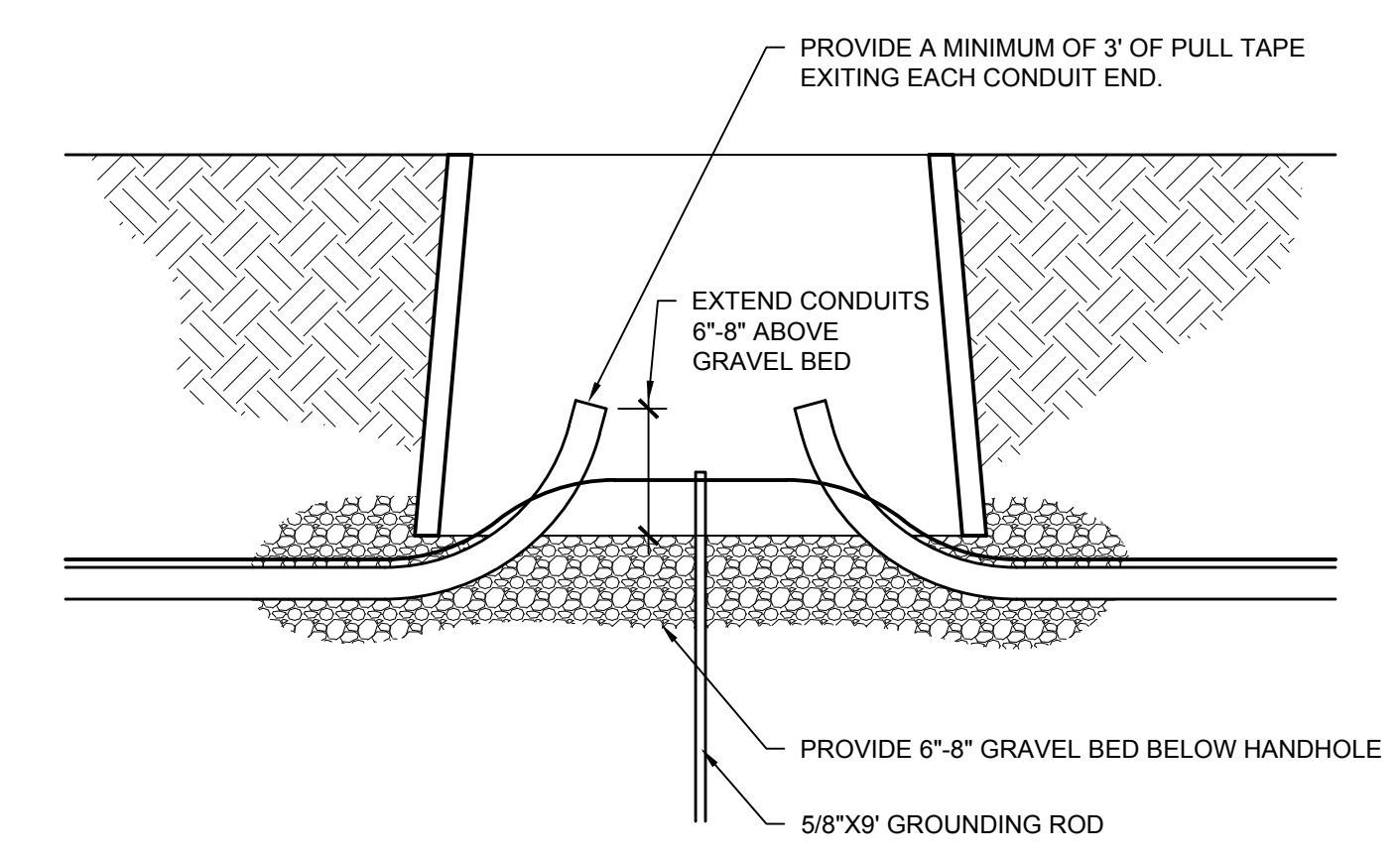
Handhole Cover
1\"/>



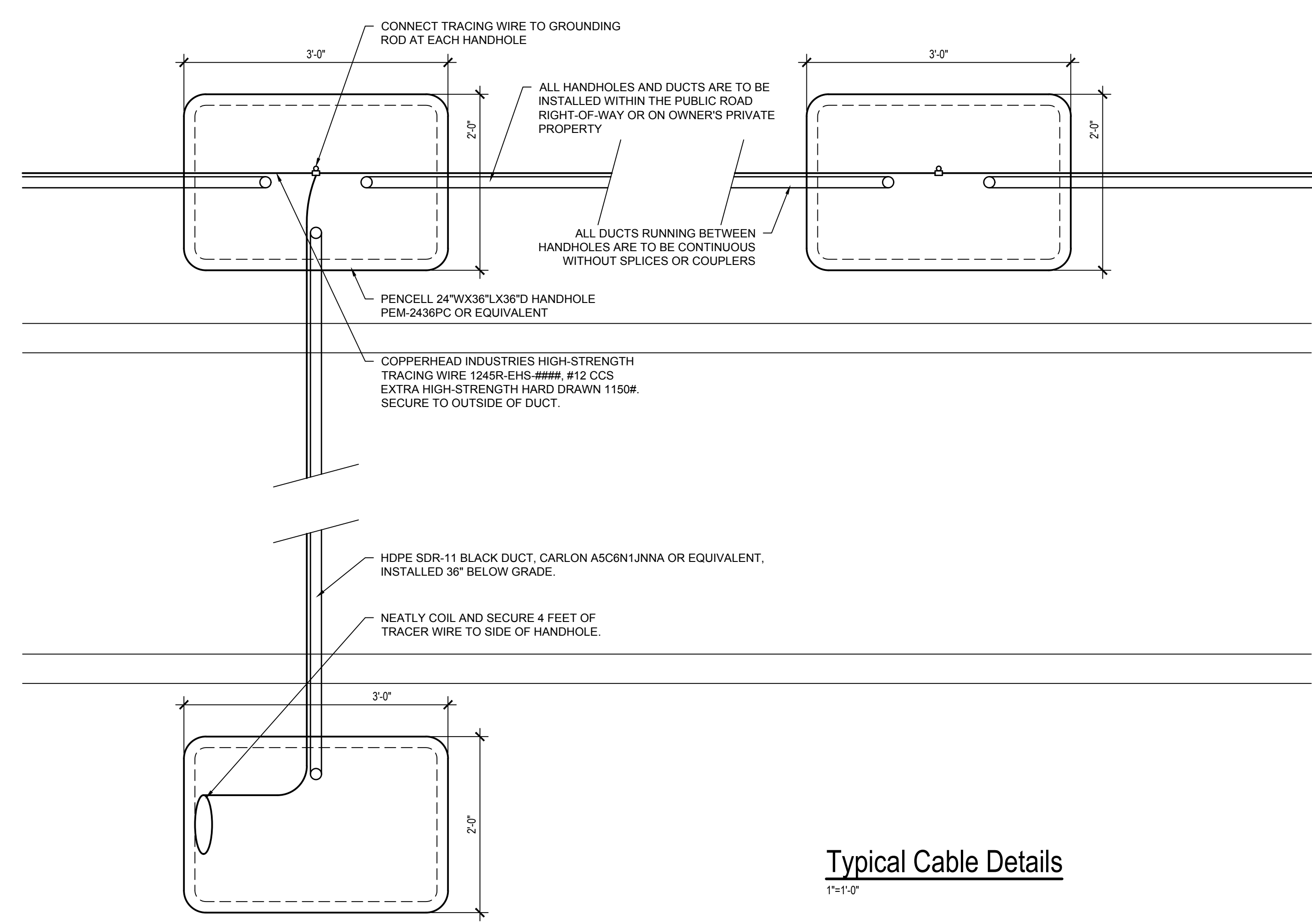
Typical Handhole Plan
1\"/>



Typical Fiber Installation Detail
1\"/>



Typical Handhole Section
1\"/>



Typical Cable Details
1\"/>