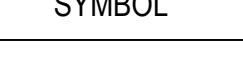





KEYED NOTES

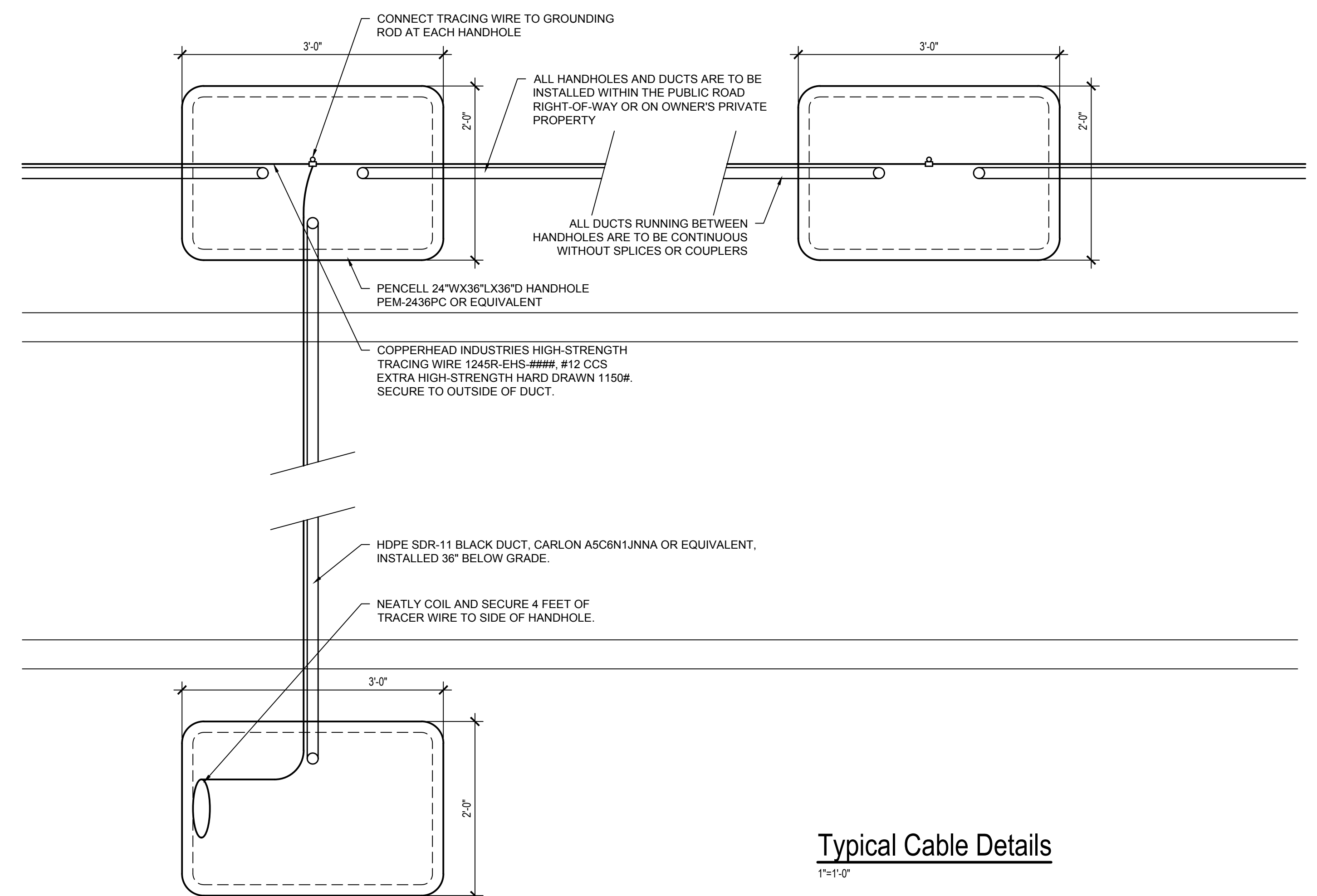
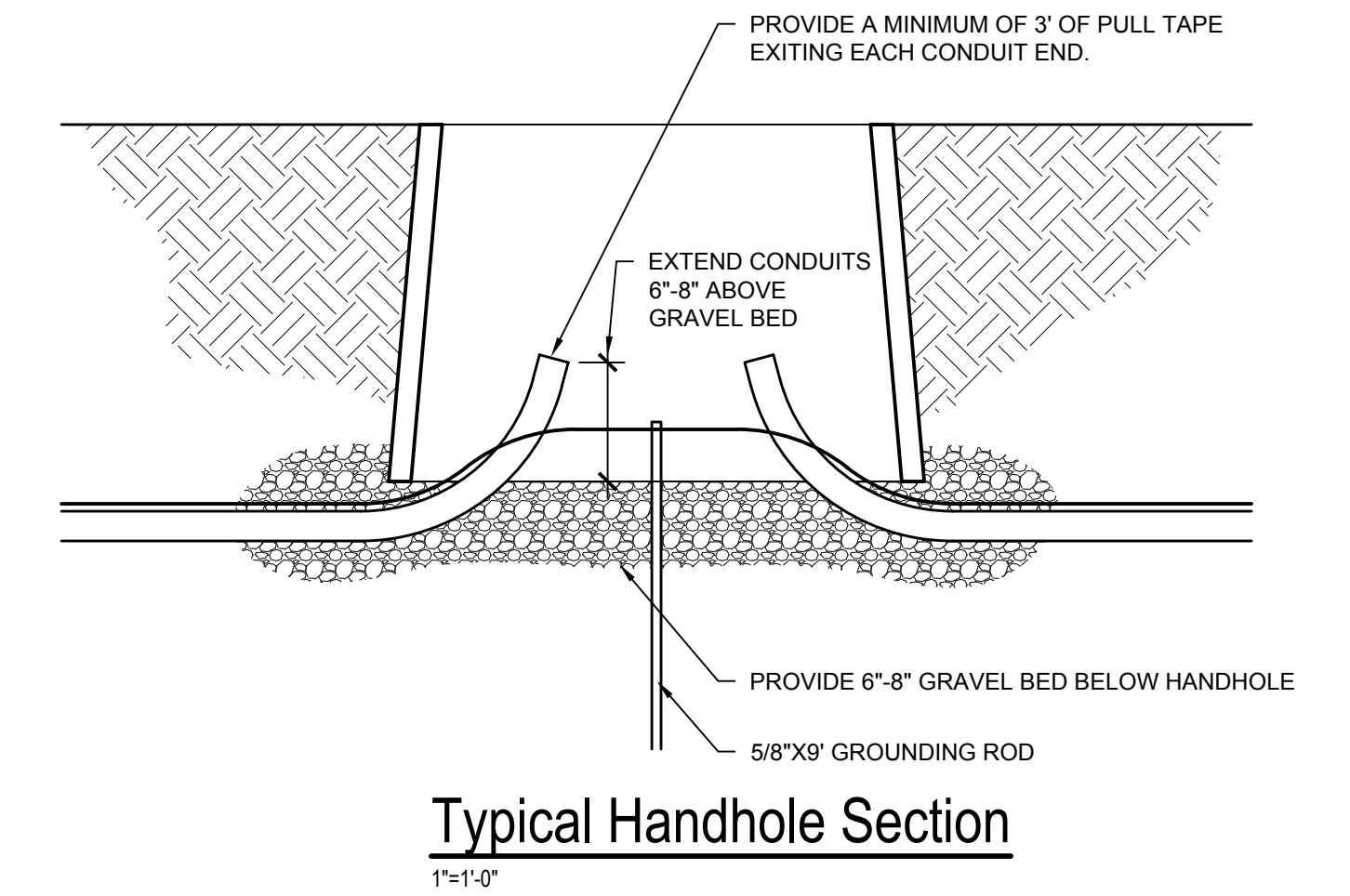
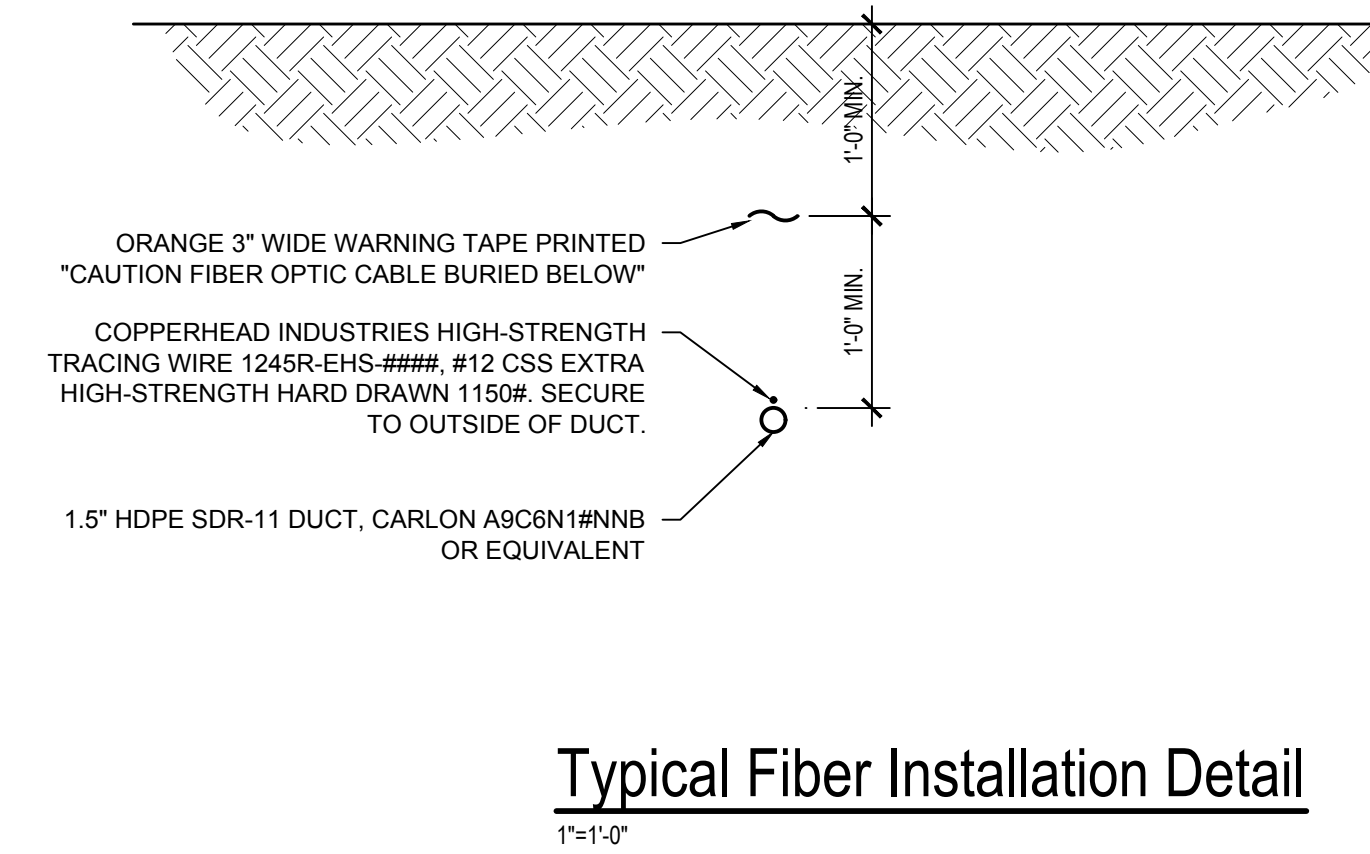
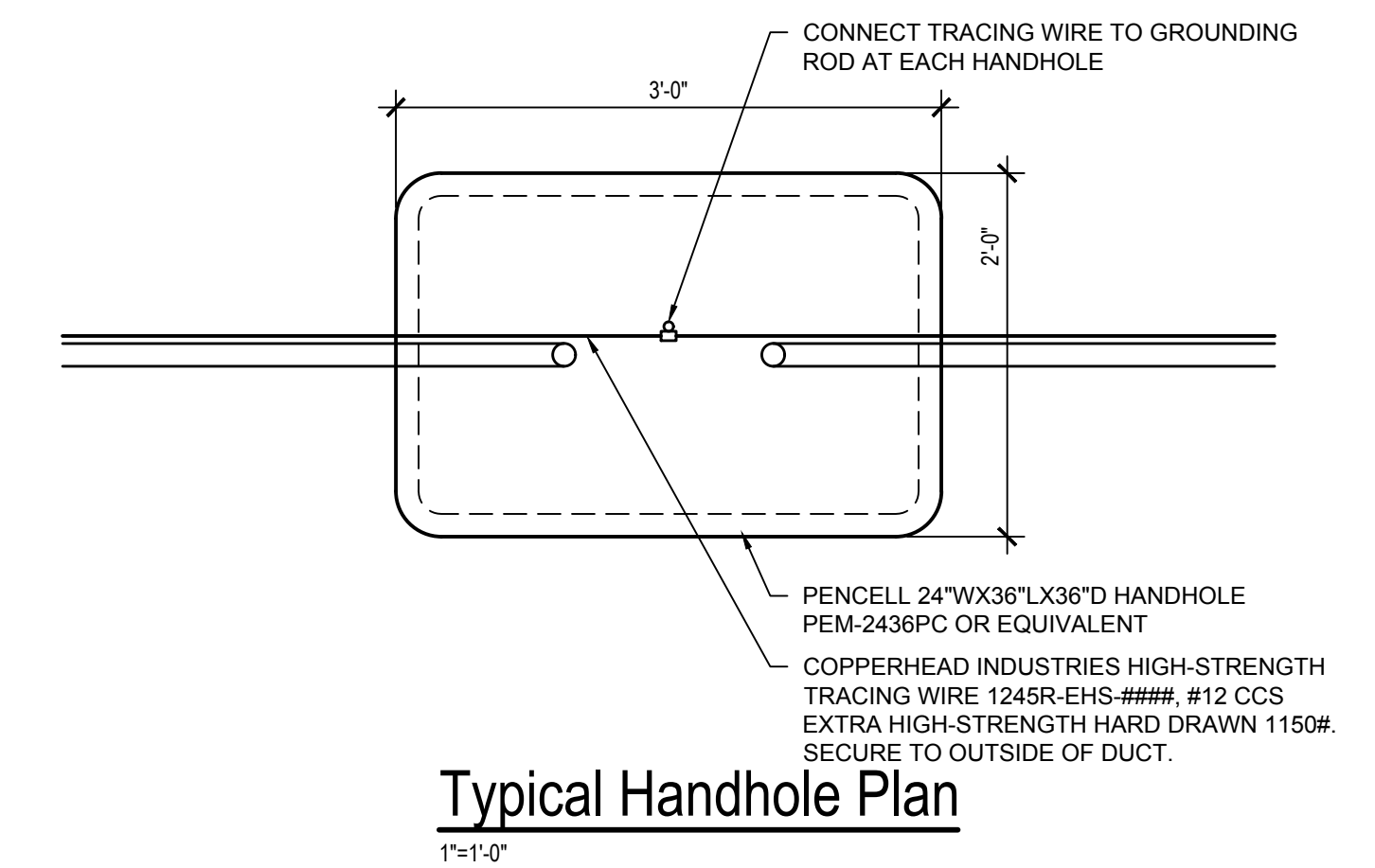
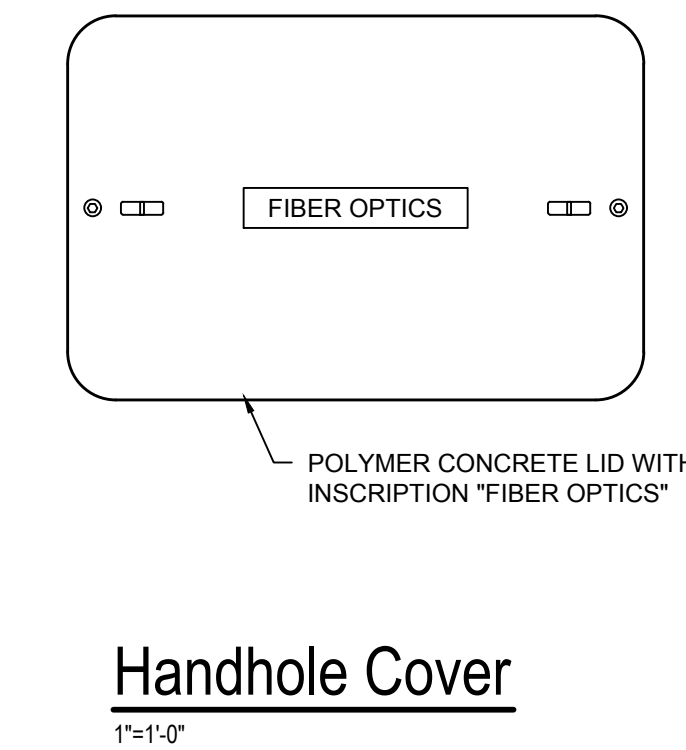
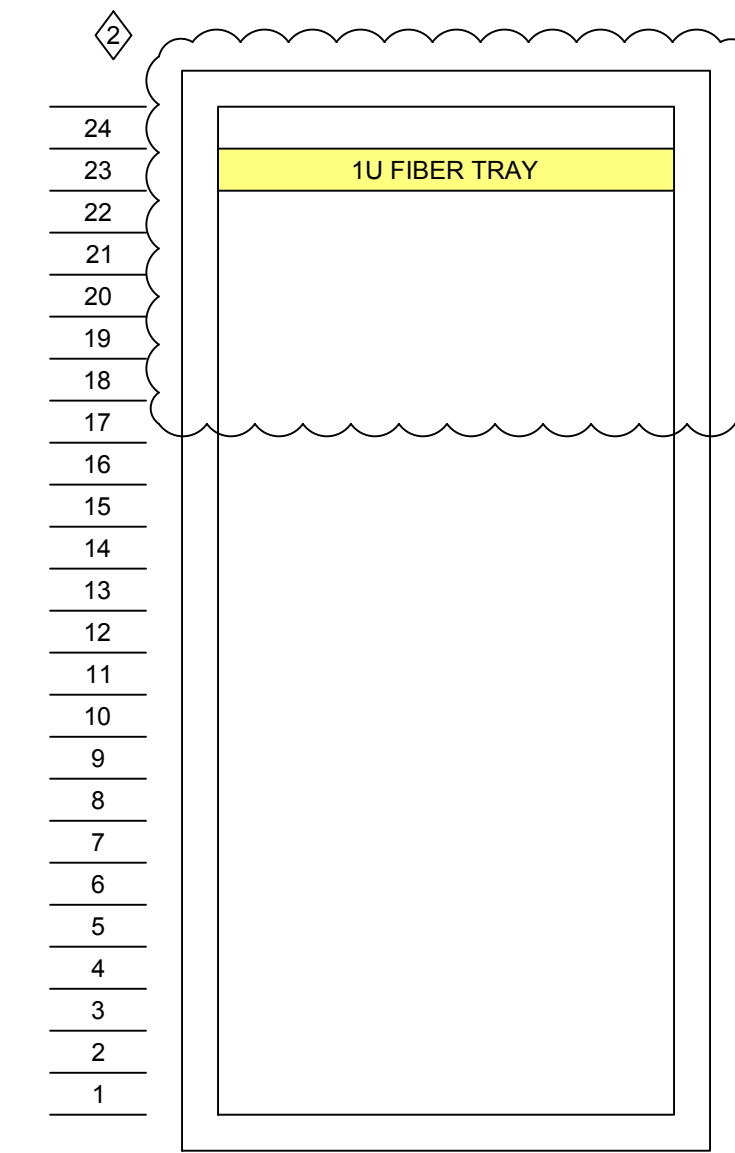
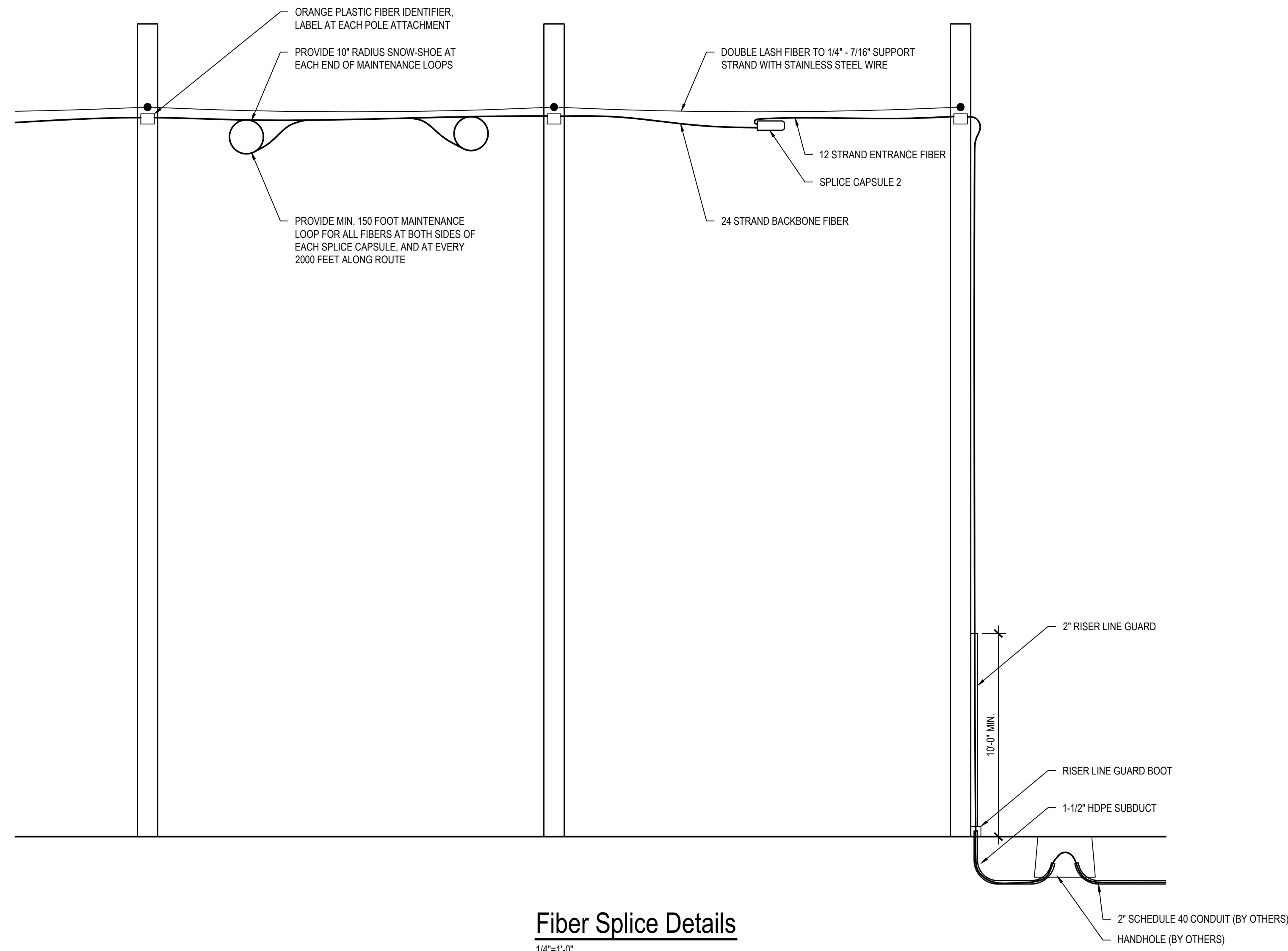
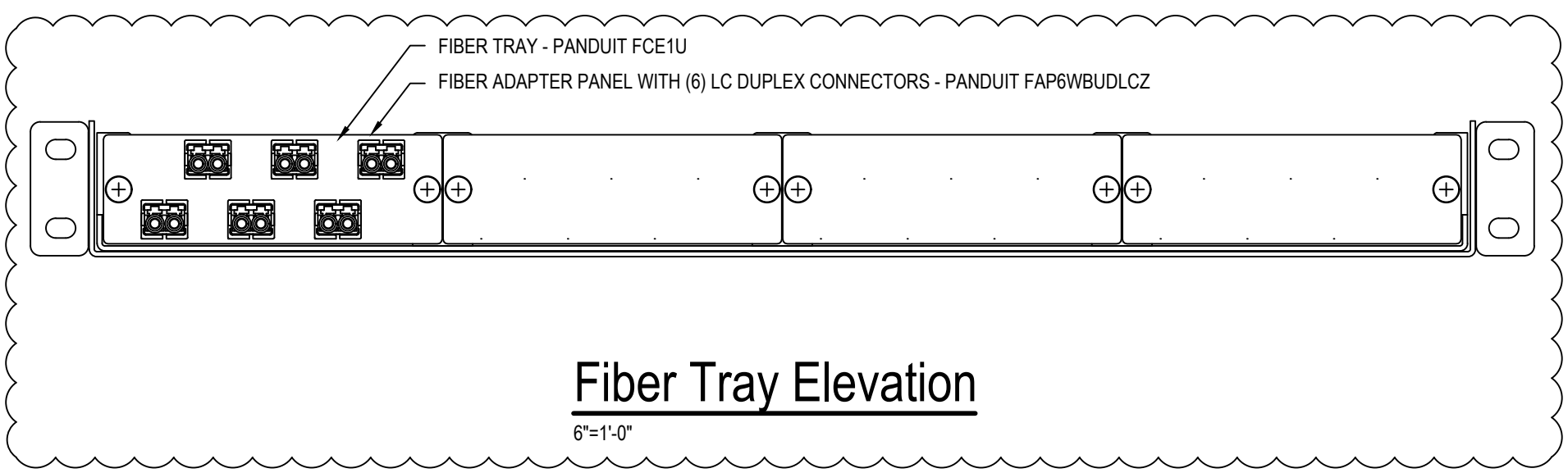
- 1 PROVIDE NEW SPLICE CAPSULE TO CONNECT NEW FIBER TO EXISTING KPS FIBER. PROVIDE A MINIMUM 150-FOOT MAINTENANCE LOOP FOR EACH FIBER CABLE ENTERING SPLICE CAPSULE. SEE SHEET T102 FOR DETAILS ON SPLICING OF NEW FIBER TO EXISTING FIBER. NOTE EXISTING FIBER IS ACTIVE AND ANY WORK AFFECTING EXISTING STANDS MUST BE PREAPPROVED WITH OWNER AND COORDINATED WITH OWNER'S MAINTENANCE WINDOWS.
- 2 BACKBONE FIBER - NEW 24-STRAND SINGLE-MODE FIBER INSTALL ON EXISTING UTILITY POLES. IN AREAS WHERE INSTALLATION ON POLES IS NOT POSSIBLE (SUCH AS TRANSMISSION POLES) INSTALL FIBER UNDERGROUND USING DIRECTIONAL BORING. INSTALL TWO 1-1/2" HDPE DUCTS, AND PROVIDE EXTERNAL TRACING WIRE.
- 3 FIBER IS TO BE INSTALLED PRIOR TO COMPLETION OF THE NEW TRANSPORTATION BUILDING. ROUTE NEW 24-STRAND FIBER TO UTILITY POLE EAST OF THE MAIN DRIVE. COIL 450 FEET OF 12-STRAND SINGLE-MODE ENTRANCE FIBER. PROVIDE AERIAL SPLICE CAPSULE AND SPLICE ENTRANCE FIBER TO BACKBONE FIBER. UPON COMPLETION OF NEW BUILDING ROUTE ENTRANCE FIBER INTO FACILITY AND TERMINATE.
- 4 ALL FIBER LINKS ORIGINATE IN KPS ADMIN BUILDING SERVER ROOM. RELABEL ALL FIBER STRANDS TO PROPERLY REFLECT THE FAR ENDPOINT DESTINATION.
- 5 RELABEL FIBER STRANDS 7 AND 8, REMOVED FROM KING-WESTWOOD ELEMENTARY SCHOOL, TO SHOW THEY ARE NO LONGER ACTIVE.
- 6 RELABEL FIBER STRANDS 7 AND 8, REMOVED FROM INDIAN PRAIRIE ELEMENTARY SCHOOL, TO SHOW THEY ARE NO LONGER ACTIVE.
- 7 PROVIDE NEW SPLICE CAPSULE. ADD 150 FEET OF SLACK ON EACH SIDE OF SPLICE POINT 1 AND SPLICE POINT 2 FOR THE MAIN 32-STRAND RUN.

LEGEND

SYMBOL	DESCRIPTION
	EXISTING FIBER
	NEW FIBER
	BUILDING LOCATION
	SPLICE POINT

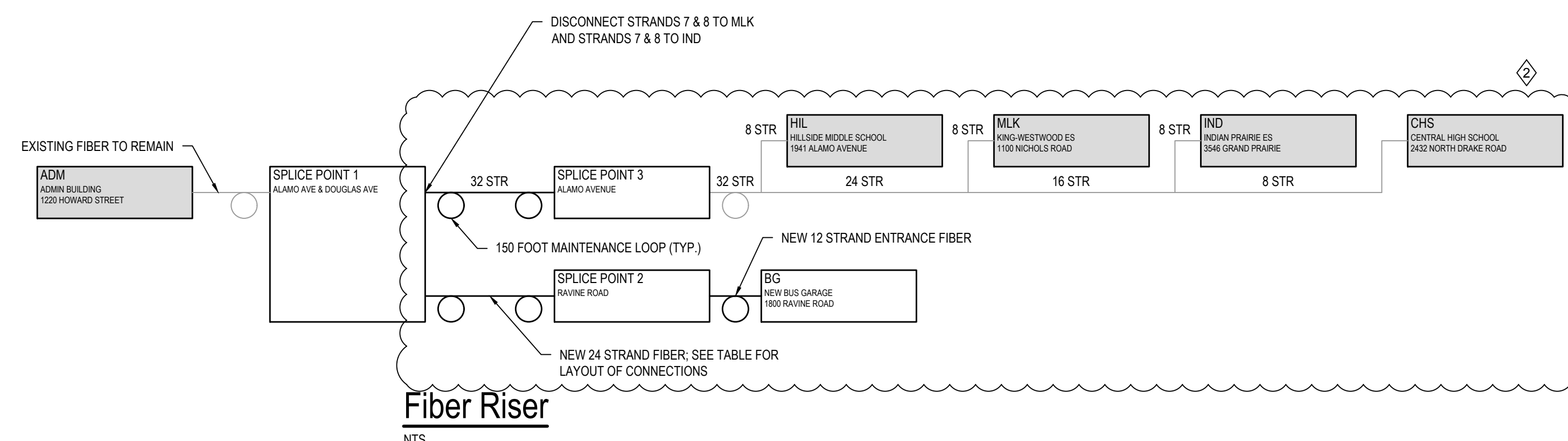
DATE ISSUED	2017-12-15 BIDS
REVISION DATE	2018-01-18 AD2
DRAWN BY	NWW
DRAWING SCALE	1" = 500'-0"
PROJECT NO.	2599
SHEET NO.	T101

com:\proj\2174\delaware_publicschools\transportation_building_fiber\map\T101.dwg, 1/18/2018 10:32:19 AM



FIBER CONNECTIONS LEGEND

FIBER	LOCATION
1	FORMER MLK STRAND 7
2	FORMER MLK STRAND 8
3	FORMER IND STRAND 7
4	FORMER IND STRAND 8
5-12	NOT CONNECTED



**Kalamazoo Public Schools
Transportation Building Fiber**
1800 Ravine Road, Kalamazoo, Michigan

Fiber Details

DATE ISSUED	2017-12-15 BIDS
REVISION DATE	2018-01-18 AD2
DRAWN BY	NWW
DRAWING SCALE	1:1
PROJECT NO.	2599
SHEET NO.	T102